



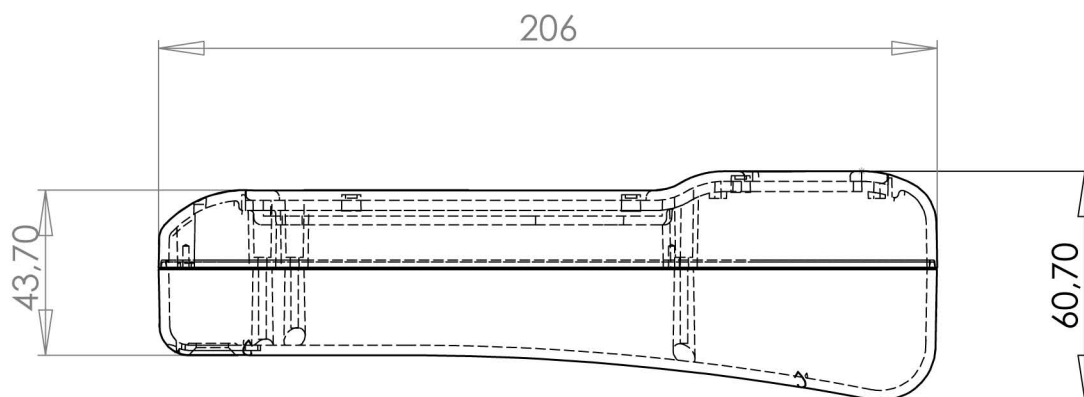
GENERAL FEATURES

- ▶ **Highly interactive LCD touch screen**
Customizable according to customer requirements (Corporate video, photos, menu, etc.)
- ▶ **Security against identity fraud (spoofing)**
Electronic life detection system (patented)
- ▶ **Anti-tampering security**
Antitamper operation locking system
- ▶ **Communications security**
Electronic encryption using a nonlinear generator
Highly secure communications
- ▶ **Biometric sensor**
Electric Field Sensor (RF) that reads the inside of the skin, maximizing the identification robustness
- ▶ **Monitoring system**
The functionality of the terminal can be checked remotely

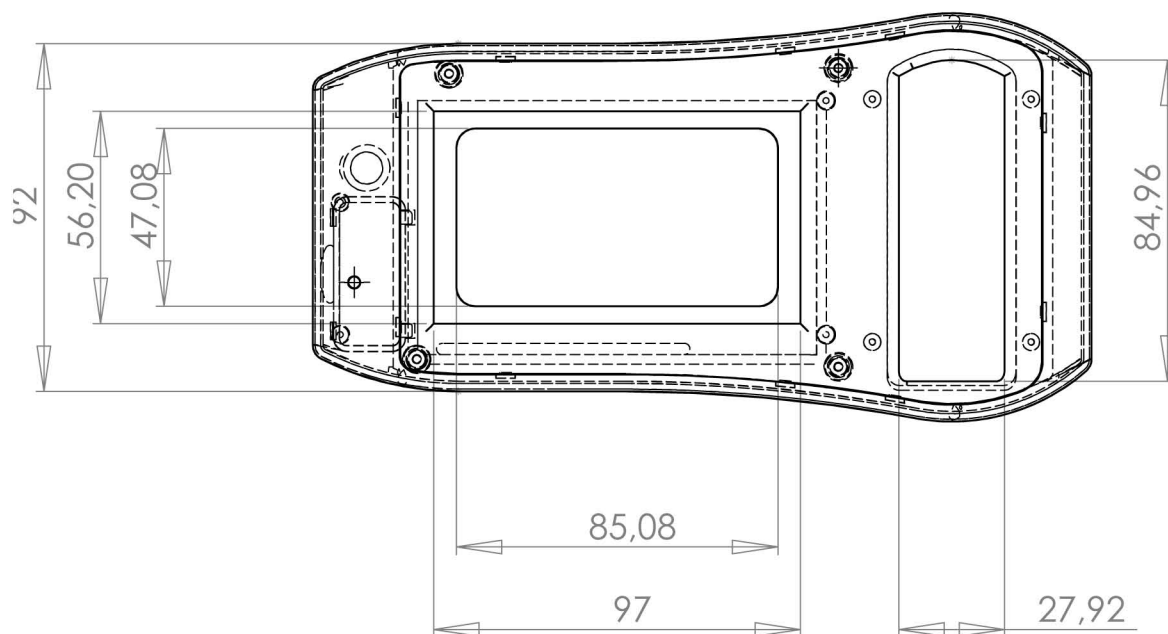
TECHNICAL SPECIFICATIONS

- ▶ **Capacity of local records**
20,000
- ▶ **Communication protocol**
TCP/IP
- ▶ **Additional communication protocols**
WIFI, Quadband GPRS
- ▶ **Network port**
10/100 Mbps Ethernet RJ45
- ▶ **Power supply**
Portable because of lithium polymer battery (charger included)
- ▶ **Output signal**
Using a relay (Max. 1 A)
- ▶ **Display**
4.3" LCD touch display
- ▶ **Operating environmental conditions**
Ambient Temperature: -5°C - +55°C Humidity: 5% - 95%
- ▶ **Processor**
High Advanced CPU based on Freescale 532 MHz IMX35 with 133 MHz AHB Bus
- ▶ **Reading modes**
Verification (1:1) / Identification (1: N)
- ▶ **Reading time**
1:1 < 0.5 seconds / 1:1000 < 2 seconds
- ▶ **Operating modes**
Online / Offline
- ▶ **False Acceptance Rate (FAR)**
0.00001 %
- ▶ **False Rejection Rate (FRR)**
0.001 %
- ▶ **IP certification**
IP55
- ▶ **Cover**
Designed for indoor and outdoor environments
- ▶ **Dimensions**
108x206x60.70 mm (W x L x D)
- ▶ **Weight**
300 grams

Front View



Top View



Side View

