



GENERAL FEATURES

▶ User permission indicators

Green, red and white LED's combined with an audible buzzer to denote status of access request

▶ Security against identity fraud (spoofing)

Electronic life detection system (patented)

▶ Anti-tampering security

Electronic dual-axis high-performance anti-tamper system (deletes all local records when activated)

▶ Communications security

Symmetric encryption and secure key exchange

▶ Identity protection

Internal conversion (encryption) from the biometric data to an irreversible code rather than using a fingerprint image

Persons' biometric data are stored completely separate from their personal user details (name, credit cards, etc.)

▶ Biometric sensor

Electric Field sensor (RF) that reads the inside of the skin, maximizing the identification robustness

▶ Monitoring system

The functionality of the terminal can be checked remotely

TECHNICAL SPECIFICATIONS

▶ **Information input system:** Linear keypad with scroll to select causes of entry and/or exit of personnel

▶ Capacity of local records

3,500

▶ Secondary identification system

RFID (125 KHz)

▶ Communication protocol

TCP/IP

▶ Additional communication protocols

RS485, RS422, WIFI, GPRS (with conversion)

▶ Network port

10 Mbps Ethernet RJ45

▶ Power supply

By external source

▶ Operating voltage and consumption

AC/DC 8 - 30 V 1A

▶ Automatic reboot when power returns

Yes

▶ Output signal

Using a relay (Max. 1 A)

▶ Display

2x16 character LCD display

▶ Reading modes

Verification (1:1) / Identification (1: N)

▶ Reading time

1:1 < 0.5 seconds / 1:1000 < 2 seconds

▶ Operating modes

Online / Offline

▶ False Acceptance Rate (FAR)

0.00001 %

▶ False Rejection Rate (FRR)

0.001 %

▶ IP certification

IP55

▶ Cover

Designed for indoor and outdoor environments

▶ Dimensions

137x193x71 mm (W x L x D)

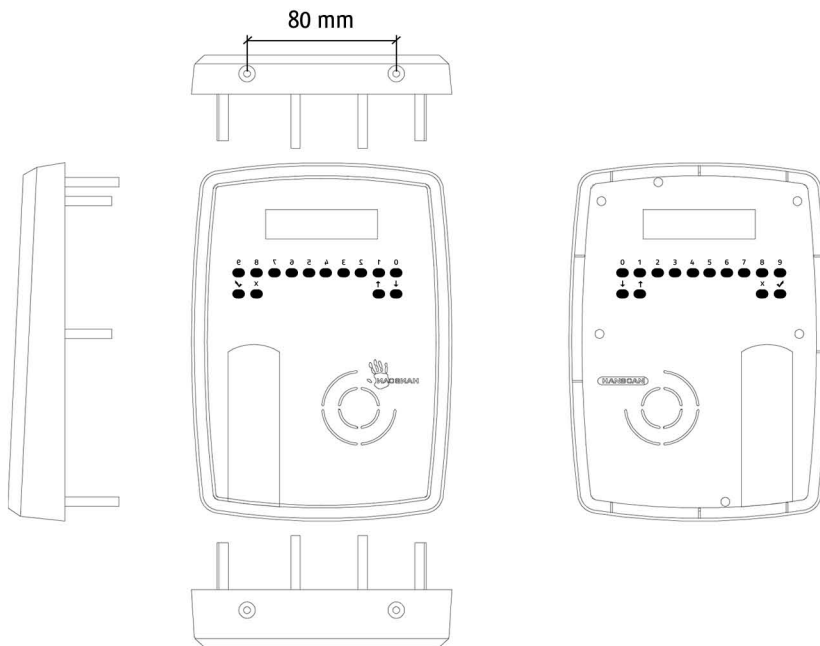
▶ Weight

580 grams

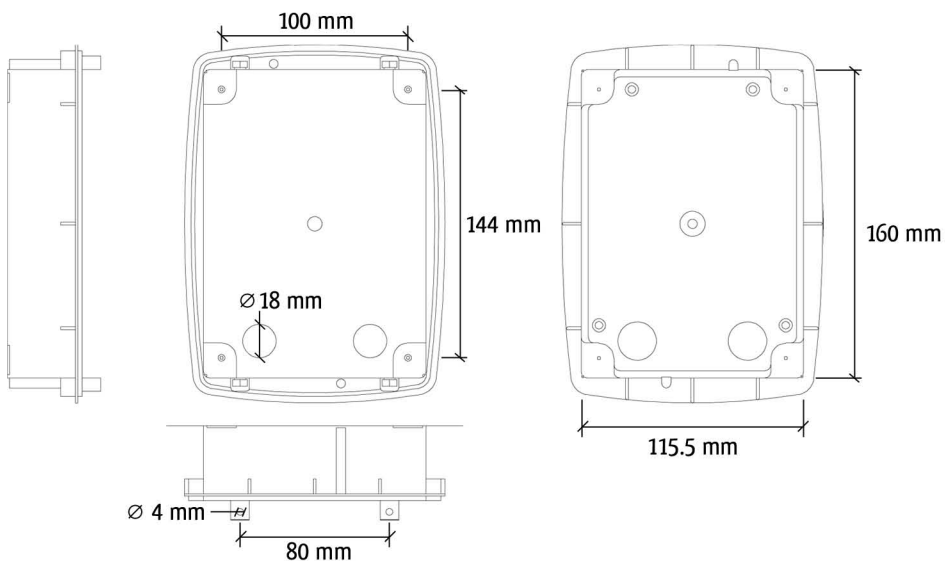
▶ Operating environmental conditions

Ambient Temperature: -5°C - +50°C Humidity: 5% - 95%

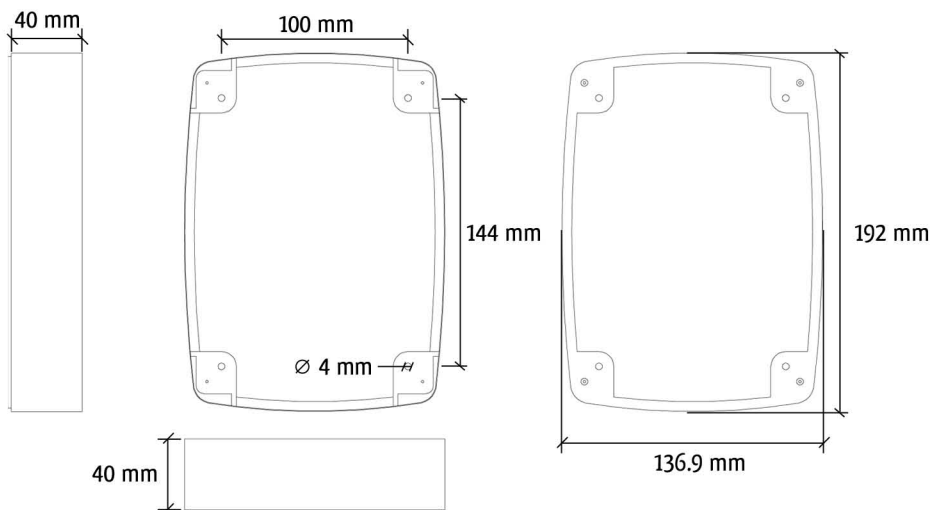
Front cover



Back cover

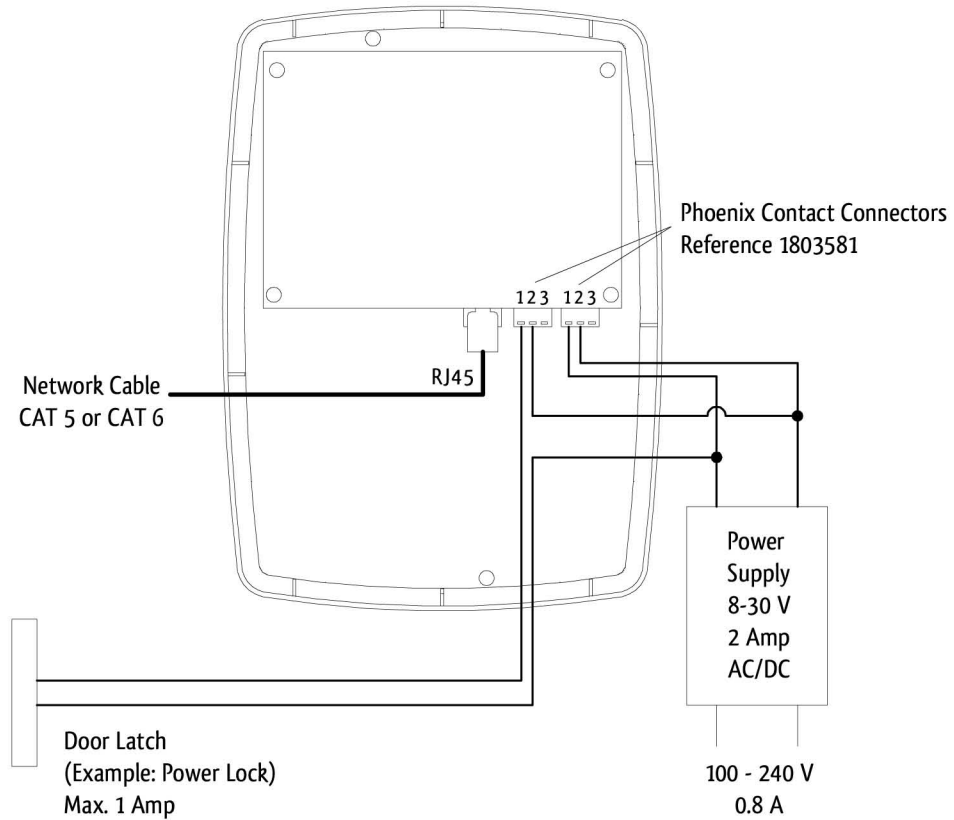


Trim (for surface mount)



OPTION 1
Normally open contact

Rear part of the Terminal HSC-AC-ST



OPTION 2
Normally closed contact

